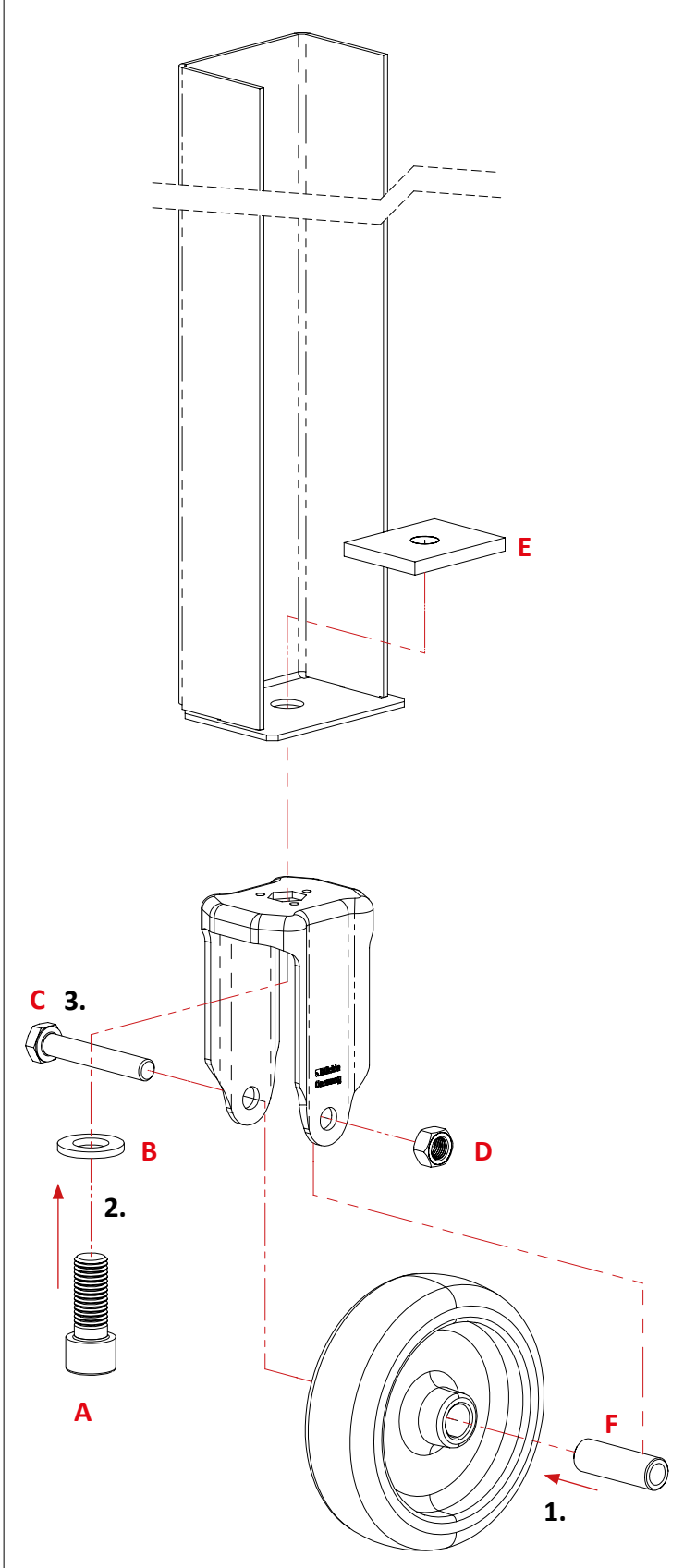


109-RS125-2LF-2B
09-RS125-4LF

	A 4x M12x30 mm	D 4x M8
	B 4x ø12,4mm	E 4x
	C 4x M8x50 mm	F 4x

Bockrolle - Fixed castor - Roulette fixe



Lenkrolle - Swivel castor - Roulette pivotante

